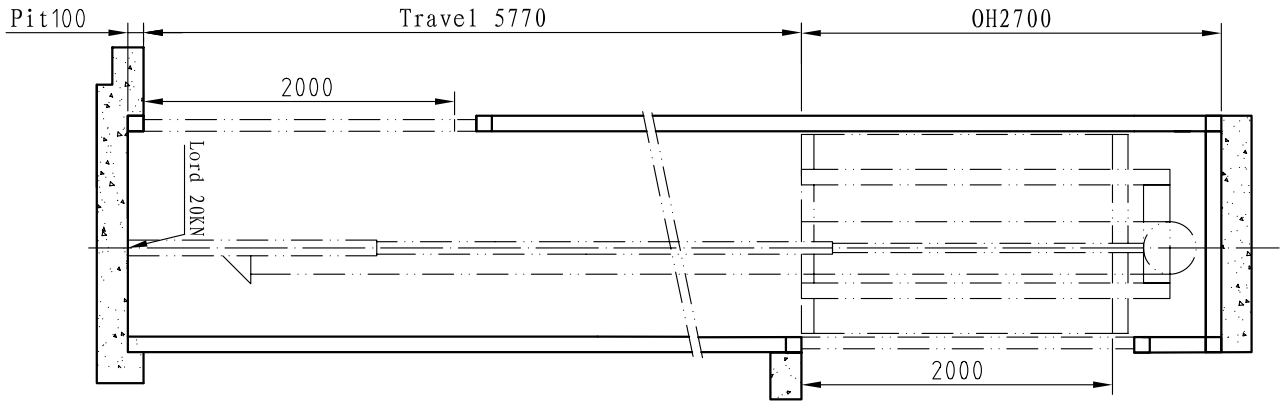
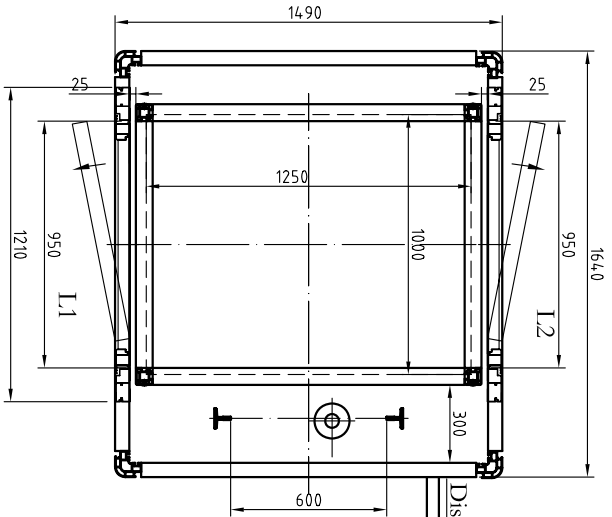


SHAFT SECTION

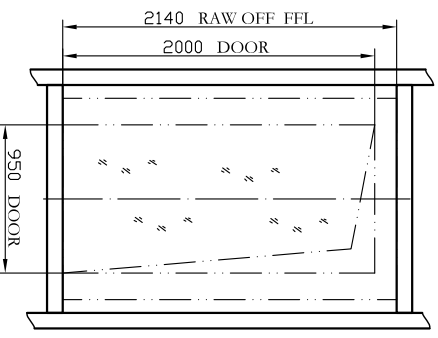
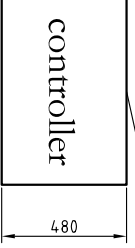


OH	2700
Floor height	5770

SHAFT PLAN  
1:20



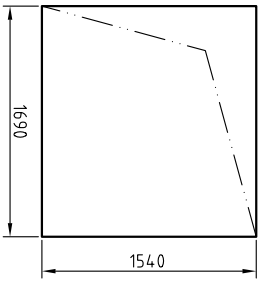
W720\*D480\*H1400



K |

K-K  
1:30

SHAFT PIT AND FLOOR OPENING  
1:40



Main Parameters	
Type	TJY-250
Load	250kg
Car Size	1000X1250X2025
Door Size	950X2000
Structure	AI shaft
Door style	Car door Without Hall door Swing
Ratio	Side acting 2:1
Speed	0.25m/s
Output	2.9KW
Power Pact	Drive 240V 1 phase Light 240V 1 phase 50Hz 20A

SHOW ROOM:

NSW:  
1 / 75 Corish Circle  
Eastgardens NSW 2036  
T: (02) 9666 3939  
F: (02) 9666 3949

VIC:  
1/1 Belgium Ave  
Richmond, 3121  
T: (03) 9421 4222  
F: (03) 9421 4333

QLD:  
Home Ideas Centre, 66 Merrivale St.  
South Bank, Brisbane  
T: (07) 3014 0633  
W.A.:  
Home Base Expo, 55 Salvado Rd.  
Subiaco, Perth  
T: (08) 9460 0666

Toll Free: 1800 440 714  
www.liftshop.com.au

Drawing No.	D11105008	Controller position	<input type="checkbox"/> Close <input type="checkbox"/> Near
Project	83023		
Version	2		
Contract No.	L12446DY6097		
Final Drawing			250kg hydraulic homelift



Design	gukangting	Approve	kangjianrong
Check	shanying	Date	2011.05.12