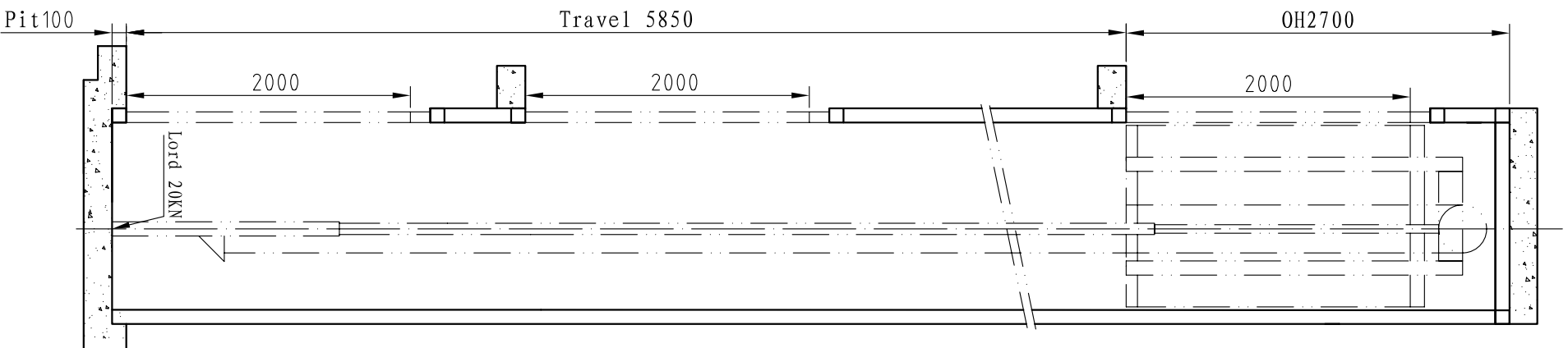
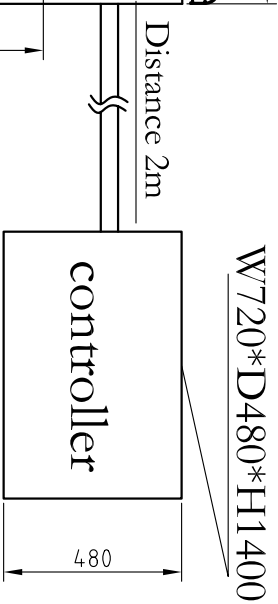
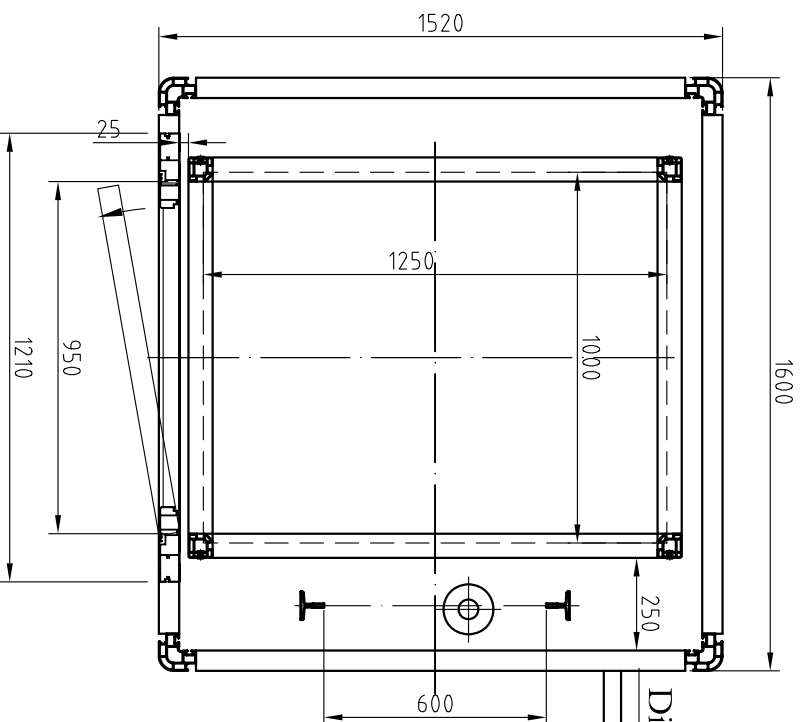


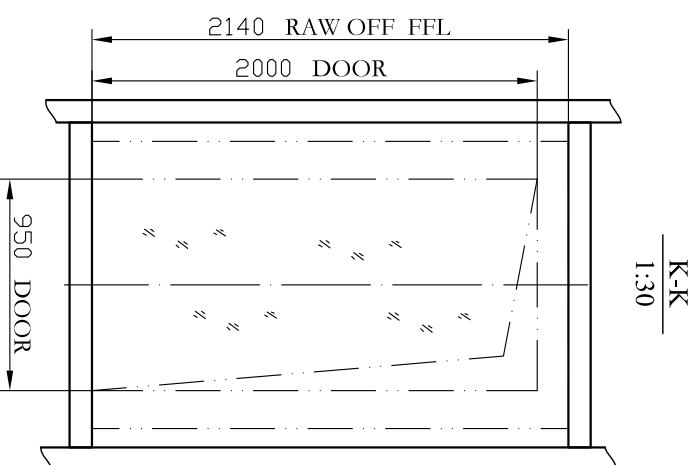
SHAFT SECTION



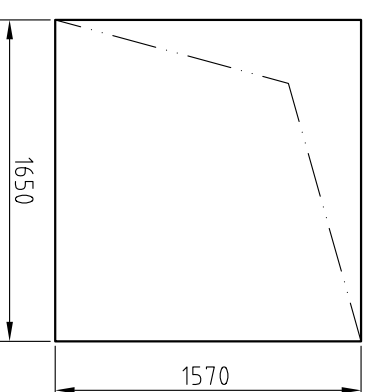
SHAFT PLAN
1E°20



OH	2700
2	3115
1	2735
f loorheight	



SHAFT PIT AND FLOOR OPENING
1:40



Main Parameters

Type	TJY-250
Load	250kg
Car Size	1000;A1250;A2000
Door Size	950;A2000
Structure	Al shaft
Door style	Car door Without Hall door Swing
Ratio	Side acting 2:1
Speed	0.25m/s
Output	2.9KW
Power Pact	Drive 240V 1 phase
	Light 240V 1 phase
	50Hz 20A

SHOW ROOM:

NSW:
1 / 75 Corish Circle
Eastgardens NSW 2036
T: (02) 9666 3939
F: (02) 9666 3949

VIC:
1/1 Belgium Ave
Richmond, 3121
T: (03) 9421 4222
F: (03) 9421 4333

QLD:
Home Ideas Centre, 66 Merrivale St.
South Bank, Brisbane
T: (07) 3014 0633
WA:
Home Base Expo, 55 Salvado Rd.
Subiaco, Perth
T: (08) 9460 0666

Toll Free: 1800 440 714
www.liftshop.com.au

Drawing No.	D1010017B	Controller position	<input type="checkbox"/> Close <input type="checkbox"/> Near
Project	65029	<input type="checkbox"/> L <input type="checkbox"/> R <input type="checkbox"/> B	<input type="checkbox"/> L <input type="checkbox"/> R m
Version	4		
Contract No.	K9808DY4810		
Final Drawing			
250kg hydraulic homelift			

Confirmed by customer's signature

Design	zhuzhifei	Approve	
Check	xupeigen	Date	2010.11.8

