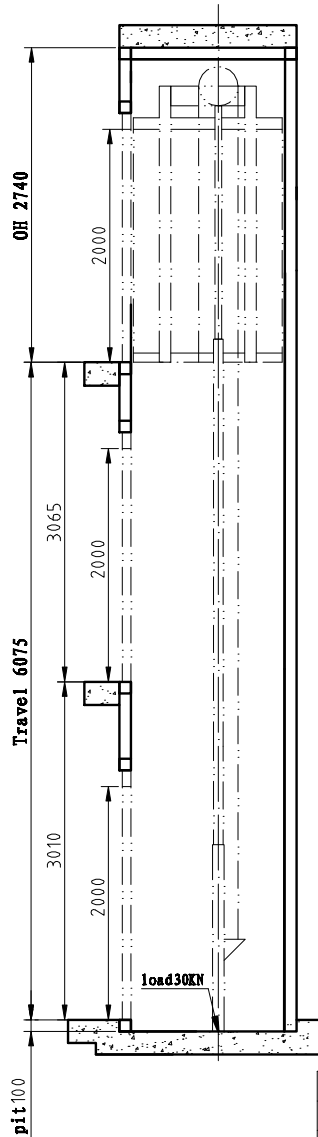
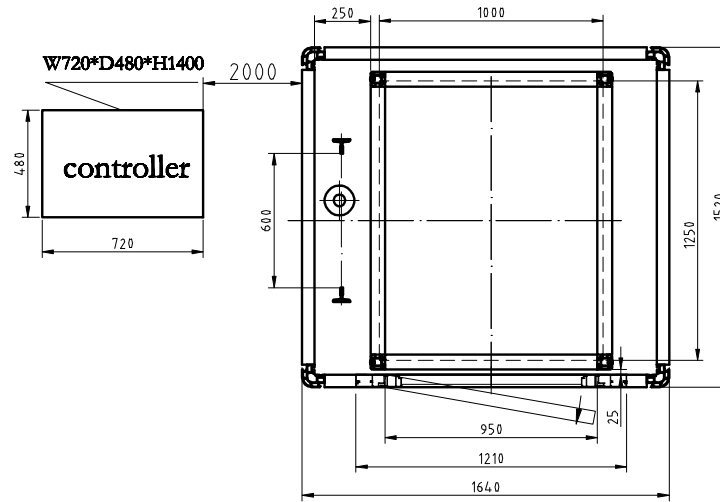


SHAFT SECTION

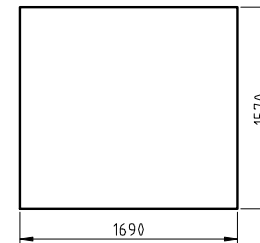
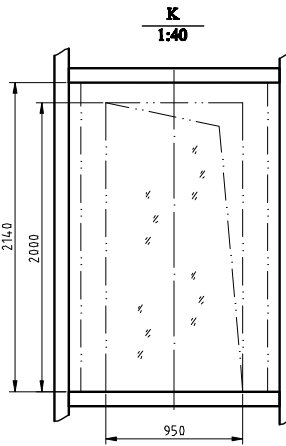


OH	2740
2	3065
1	3010
floorheight	

**SHAFT PLAN
1:20**



**SHAFT PIT AND FLOOR OPENING
1:40**



Main Parameters

Type	TJY250
Load	250kg
Car Size	1000*1250*2000
Door Size	950*2000
Structure	Al shaft
Door style	Car door Without Hall door Swing
Ratio	Side acting 2:1
Speed	0.25m/s
Output	2.9KW
Power Pact	Drive 240V 1 phase Light 240V 1 phase
	50Hz 30A

SHOW ROOM:

NSW:
1 / 75 Coriah Circle
Eastgardens NSW 2036
T: (02) 9666 3939
F: (02) 9666 3949

VIC:
1/1 Belgium Ave
Richmond, 3121
T: (03) 9421 4222
F: (03) 9421 4333

QLD:
Home Ideas Centre, 66 Merivale St.
South Bank, Brisbane
T: (07) 3014 0633
WA:
Home Base Expo, 55 Salvado Rd.
Subiaco, Perth
T: (08) 9460 0666

Toll Free: 1800 440 714
www.liftshop.com.au

Project	83597		
Version	3		
Contract No.	K9136DY4355		
Final Drawing			
Confirmed by customer's signature			
Design	lingdan	Approve	
Check	gukangang	Date	2010-7-20

Controller position	
<input type="checkbox"/> Close	<input type="checkbox"/> Near
<input type="checkbox"/> L/R/B	<input type="checkbox"/> L/R m
250kg hydraulic homelift	

