

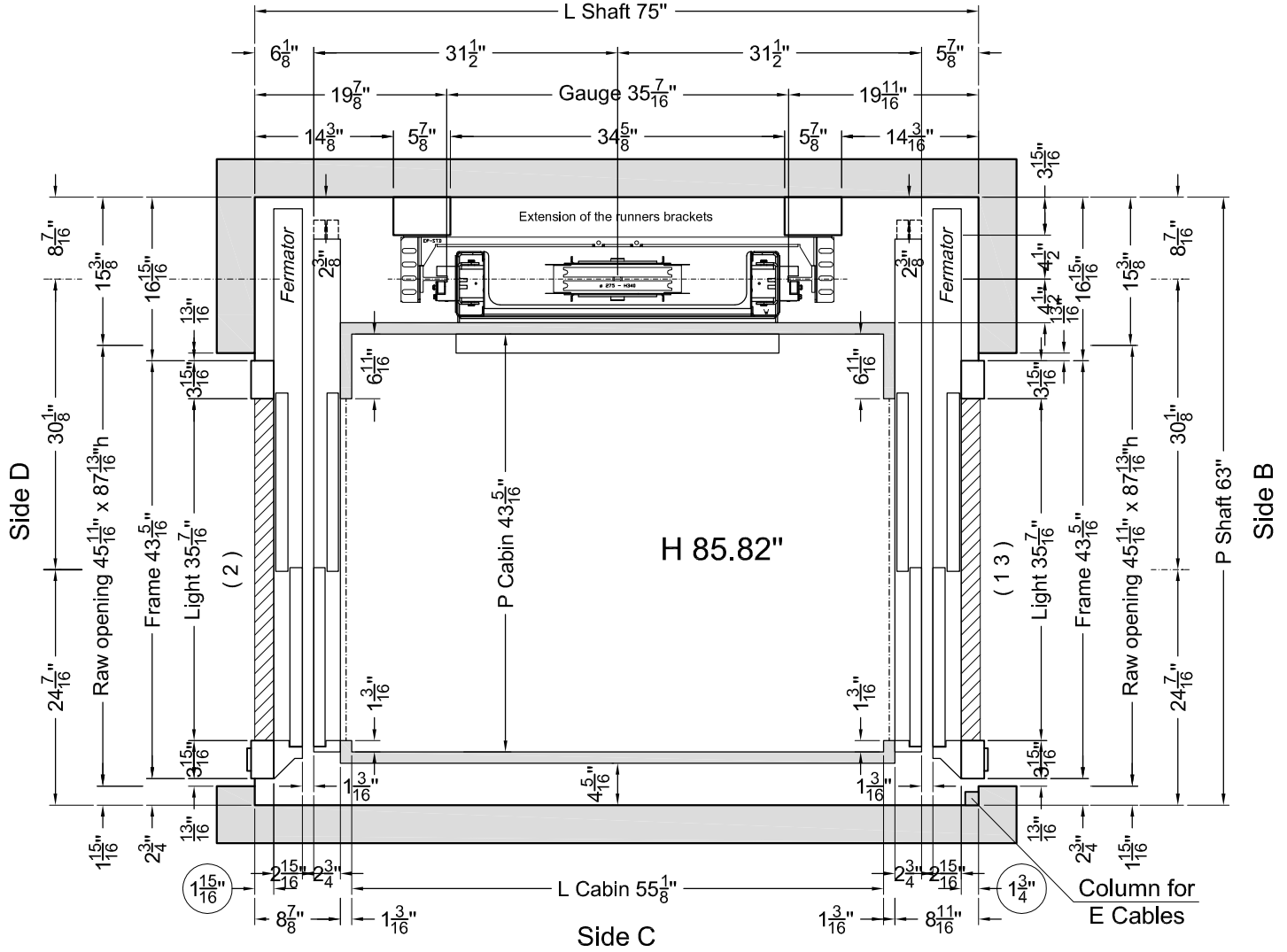
FLOOR DOOR

Side B	Side C	Side D	VERSION	H LIGHT	H FRAME	FRAME	WINDOW	GLASS	ACCESSORIES
13		2	2 Panels <u>Inox Nero Lucido</u>	78 3/4"	87"	<u>Inox Nero Lucido</u>	Absent		

C1 = Enabling key for the floor button pad (single insertion) C2 = Enabling key for the floor button pad (double insertion) PM = Button pad on the wall PE = Outside lock and button pad

Shaft filling by Client

Side A



Stops: 3 - Doors: 3

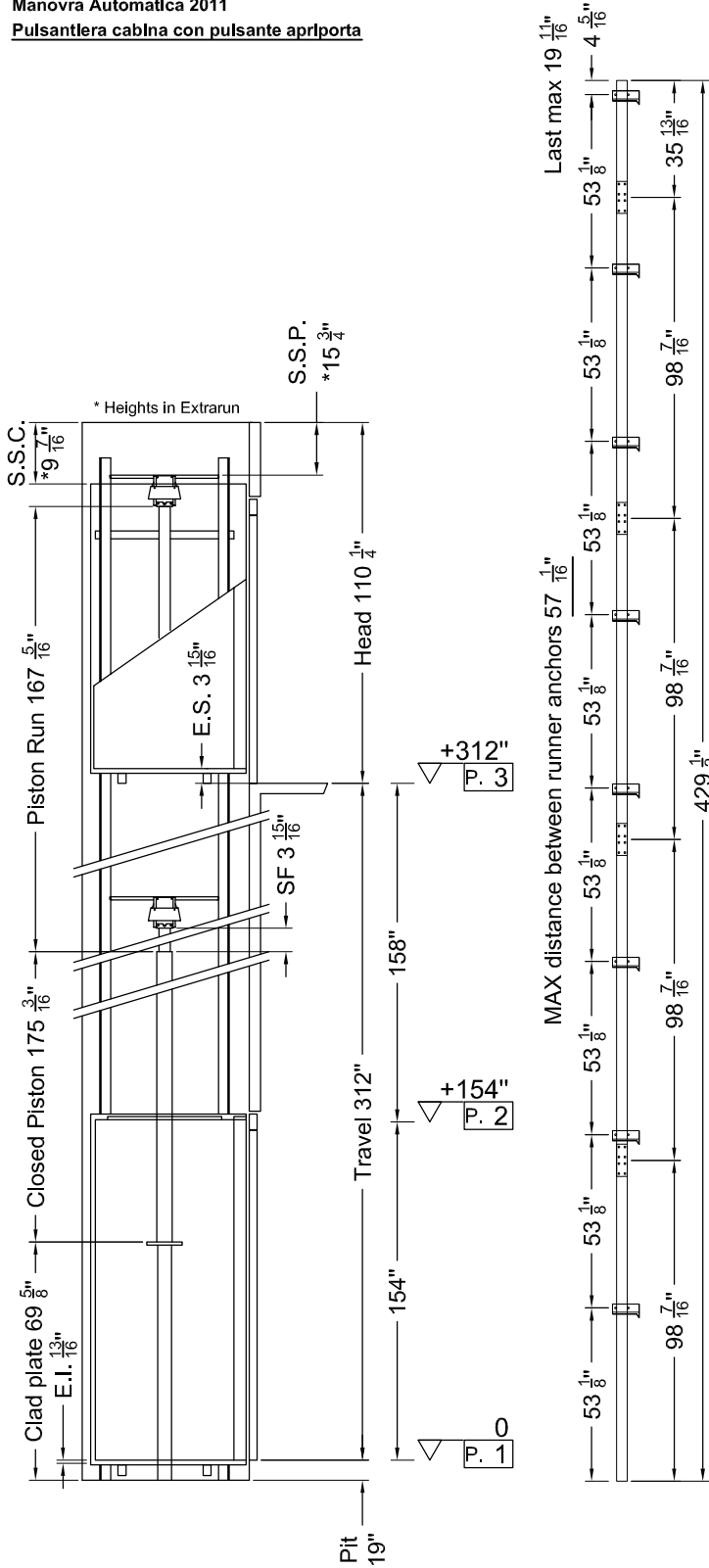
Shaft in **Masonry (Muratura)**

Customer own flooring: Dimensions **57 1/2"** (L) x **43 5/16"** (P) thks **9/16"** ft Weight: **59 lbs**

	Description	Designer	Date	II Rev. Final Drawings	
VERSIONS	2 Variante H cabin 85.82"	D.Ogliastro	22/10/2014	Model ELFO 2	SHEET 1/2
	1 Pulsante Apriporta in cabina.	L. Del Bianco	13/02/2014		 SCALE 1:12.5
	L & P Vano; Pannello, Finiture, Soffitto; No chiavi in cabina.	L. Del Bianco	27/01/2014	CAPACITY 882 lbs	
	destinazione accessi, corsa a 7925, fossa	D.Ogliastro	10/01/2014		CAPACITY
	Final Drawings	L. Del Bianco	1° STESURA 30/01/14		

ACCESSORI:

- Guide in barre da 2,5 m
- Pompa a mano
- Pressostato con segnalazione di sovraccarico
- Due velocità
- Ritorno piano basso con tempo regolabile
- Interruttore blocco porta quadro
- Predispuesto per combinatore telefonico della Lift Shop
- Fotocellula tutta parete V2
- Arresti fissi in fossa
- Manovra Automatica 2011
- Pulsantiera cabina con pulsante apriporta



Indirect Installation	Speed 55 fpm	13/02/14 11.32 (V.2839)	
THRUST DURING NORMAL OPERATION		THRUST OF SAFETY DEVICE INTERVENT	
P (lbf)	3314	P (lbf)	174
N (lbf)	223	N (lbf)	2258
F1 (lbf)	414	F1 (lbf)	691
F2 (lbf)	89	F2 (lbf)	148
SPACES		PRESSURES	
E.I. Extrusion below cabin	13/16"	Max static pressure (bar)	37.93
E.S. Extrusion above cabin	3 15/16"	Min static pressure (bar)	22.32
SF. Piston extraction	9 5/16"	Overpressure limit (bar)	53.10
S.S.P. Piston/head	15 3/4"	Residual pressure (bar)	1.55
S.S.C. Cabin/head	12 5/8"		
HYDRAULIC UNIT		MECHANICAL PARTS	
Central unit	GMV HL 3010 (-*)	Runners	T70-2A
Capacity (l/min)	43	Brackets	(Nr) 8
Motor (V)	MF230V	Cables	Ø 11 mm 6-(1+9+9)
Power (Kw)	2,9	Cables length 2 x	511"
Corrente (A)	19	Min actual breaking load (N)	70700
Piston	START SL (Ø) 80x5x4250		
Opt. oil position	BASSO		
Tubing	3/4" EN 853 1SN - FD 3/4" - FD 3/4"		
Tubing length	315"		
Min hydraulic oil (L)	61		
SECURITY DEVICES			
Safety Gear	LVT	LVT11	TUV DPD 010
Block Valve	START ELEVATOR	1/2" 0326	CA50.00526
Key Locks	FERMATOR	210/10/40	
MACHINERY LOCATION			
At floor	1	Length of the hose travel	78 3/4"
Cables enter in shaft: Side	C		
CABIN		CABIN ACCESSORIES	
Panels	Inox Nero Lucido		
Finishes	Inox Nero Lucido		
Oper. panel	HORIZONTAL		
Floor	By Customer		
Roof	LABIRINT - Inox Nero Lucido		
Cabin Doors			
	Side B: 2-Panels Automatic Sliding doors, Inox Nero Lucido		
	Side D: 2-Panels Automatic Sliding doors, Inox Nero Lucido		
OTHER ACCESSORIES			
Guides dimension	98 7/16"		
Manual pump			
Manostat with overweight signal			
Two speed			
Return to the lower floor after adjustable time			
Cabinet General switcher to enabling controller			
Prepared for Autodlaler by Lift Shop			
Full height Infra-red curtain V2			
Pit stop bow			
Automatic Control 2011			
Door Open Button on C.O.P.			

The information contained in this drawing are completed by masonry manual rev.4 | * See masonry manual rev. 4