

- STANDARD ACCESSORIES:**
- REMOVABLE ENABLING KEY FOR THE CABIN BUTTON PANEL
 - REMOVABLE ENABLING KEY FOR THE FLOOR BUTTON PANEL
 - PUSH BUTTON PANEL VERTICAL
- NOT STANDARD ACCESSORIES:**
- FULL HEIGHT INFRA-RED CURTAIN

cabin	ATLANTIS - SM
cabin mass and operators (Kg)	404
panels	Similinox F12PPS
finishings	INOX Scotch Brite
floor	Rocksolid PREZIOSO 502
push button panel	Verticale a n° 7 fori + GONG
roof	Disegno Labirint Bianco A1
cabin doors colour	Similinox F12PPS (oper. GMM-E.2006)
landing doors colour	INOX Scotch Brite
frame landing doors colour	INOX Scotch Brite
electrical s. cabinet colour	INOX Scotch Brite

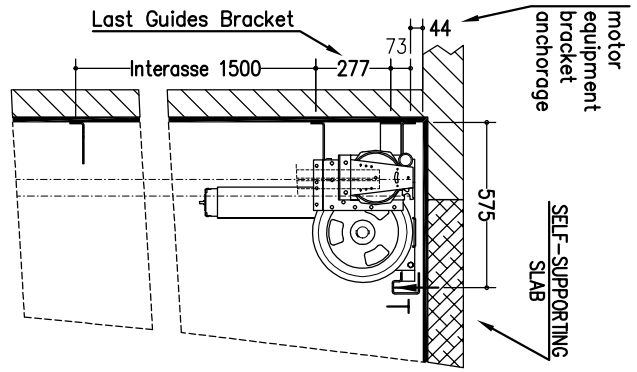
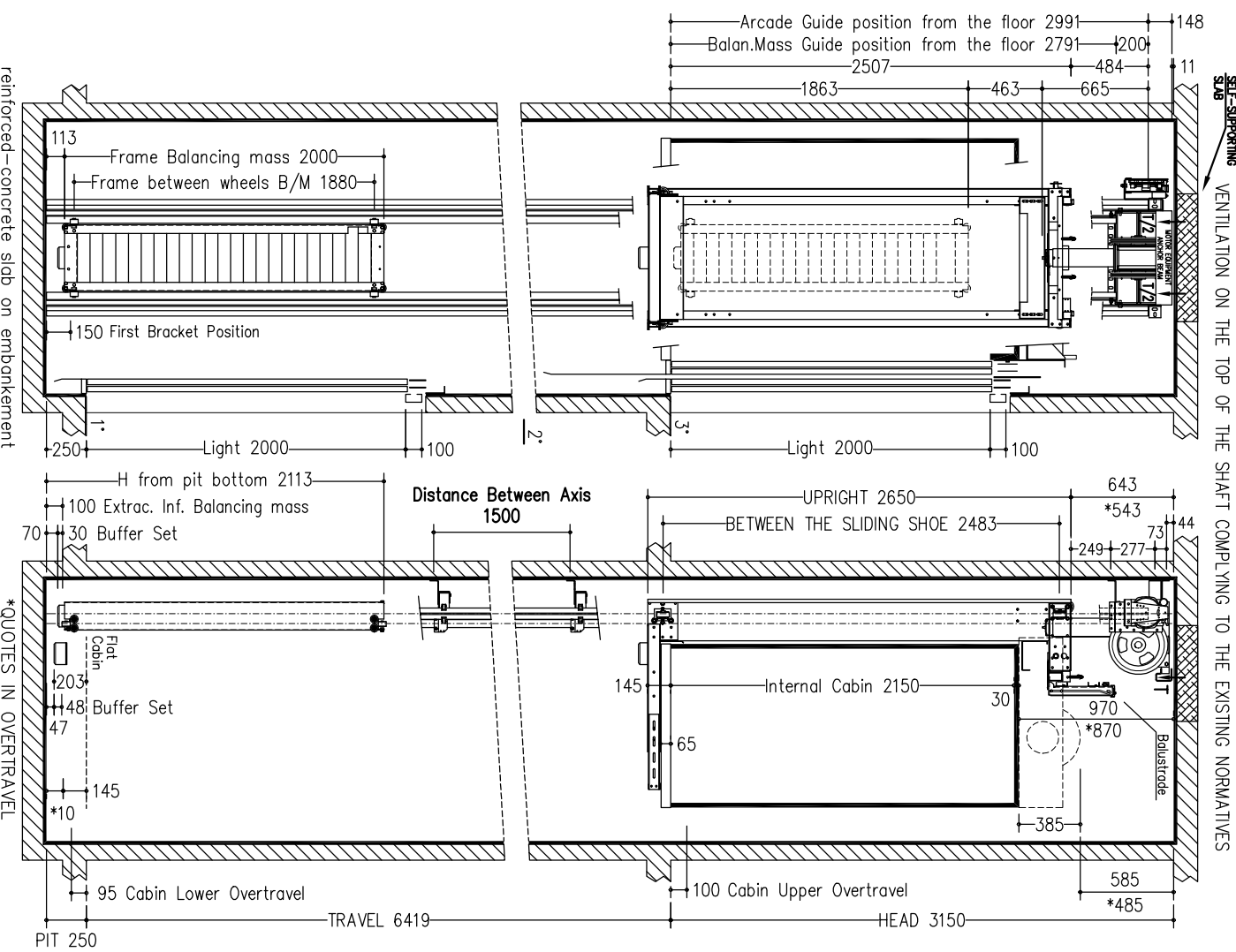
Shaft typology: MASONRY		first draft	final drawing
Stops:	3	D. Tonnè	D. Tonnè
Doors:	3	11/06/2009	15/10/2009
Sheet	1/2		
Sheet dimension	A3		
Scale	1/15		
Modifications			
d			
c			
b	corsa ero 6000.	D. Tonnè	15/10/2009
a	Impianto spechiale	D. Tonnè	07/09/2009

EP
Elevatori Pemanotti

MODEL SUPERMEC

SECTION B-B

SECTION A-A



Shaft typology: MASONRY	
Stops: 3	Doors: 3
Sheet: 2/2	Scale: 1/30
Modifications:	first draft: 11/06/2009
d. corso era 8000.	final drawing: 15/10/2009
d. impianto speciale	D. Tonnel: 07/09/2009
Pf.	MODEL: SUPERMEC

Notes for the customer	
THE HORIZONTAL AND VERTICAL LOAD BEARING STRUCTURES MUST BE ABLE TO SUSTAIN THE LOADS INDICATED. THE HOSTWAY SHAFT MUST BE VENTILATED ACCORDING TO THE EXISTING NORMATIVES AND CONSTRUCTED IN ORDER THAT ALL EQUIPMENTS MUST BE PROTECTED FROM DUST (WEATHER VARIER AND HUMIDITY). THE DIMENSIONS OF THE LIFTWAY MUST BE GUARANTEED WITH AN OVERTRAVEL OF 100 MM. THE DIMENSIONS OF THE PIT MUST BE GUARANTEED WITH AN OVERTRAVEL OF 100 MM. THE DIMENSIONS OF THE PIT MUST BE GUARANTEED WITH AN OVERTRAVEL OF 100 MM. THE CUSTOMER HAS TO WATERPROOF THE PIT AFTER THE DRAG OF (HOOXKOPDOP). THE CUSTOMER HAS TO WATERPROOF THE PIT AFTER THE DRAG OF THE EQUIPMENT IN THE PIT BOTTOM. THE PROJECT IS COMPILED IN ACCORDANCE TO THE EXISTING NORMATIVES.	
FOR APPROVAL OF EVERYTHING CONCERNING THE MASONRY PARTS OF THE SHAFT.	
DATE	SIGN
Interfloors	
2/3 = 3400 mm	
1/2 = 3019 mm	
speed (m/s) 0,5	
load capacity (kg) 480	
people capacity 6	
THE QUOTES ON THE VERTICAL SECTIONS ARE NOT IN SCALE	

Max loads	blancing mass P (N) 34060
	arcade N (N) 43555
	motor equipment T (N) 11554
Thrust during normal operation	Fx (N) 1057
	Fy (N) 766
	s (N) 1674
	D (N) 1674
Thrust of safety gear device intervention	Fx (N) 3076
	Fy (N) 1277
	s (N) 13348
	D (N) 13348
reference normatives	pr EN81.21 (2006)
reference normatives	universide
voltage of the battery charger	(V) 220V
batteries	FIAMM-GS FG22703 12V 27Ah
reduction gear	110 PAM 90 1/40 STM
motor	DAGU EE302 c.c. 40 V
block brake	12 N/m - 24 V
arcade	930-480kg-m80x960-H2690
arcade mass (kg)	210
balancing (%)	50
balancing mass (kg)	853
components of the balanc. mass suspension cables	n° 18 pani e n° 125 piastre
length (mm)	ALOTTO 9x6
minimum breaking load (N)	10700
balanc. mass shock absorbers	ETN 125 x 80
cabin shock absorbers	GF770 x 9660 mm - stoffe n° 8
cabin guides	RF50 x 9460 mm
balancing mass guides	

