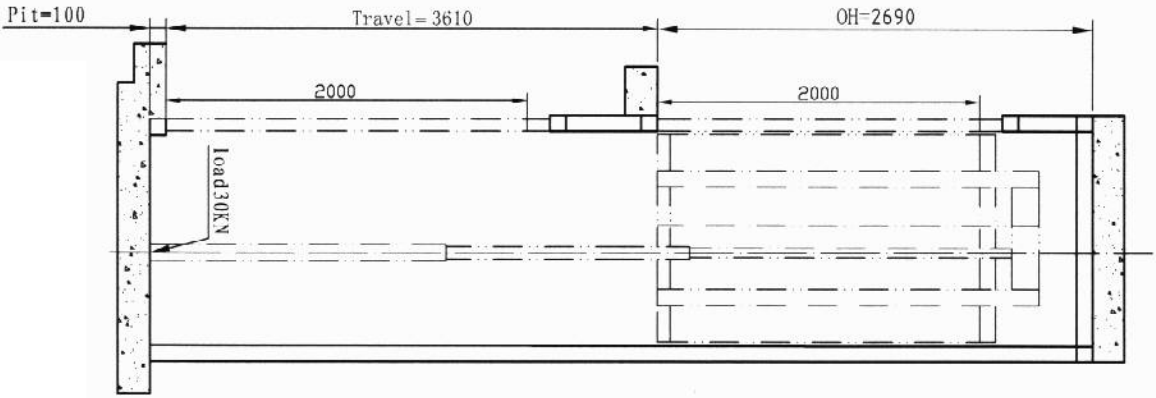
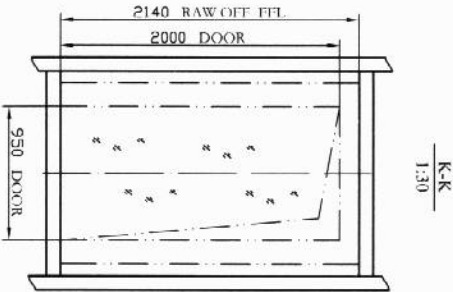
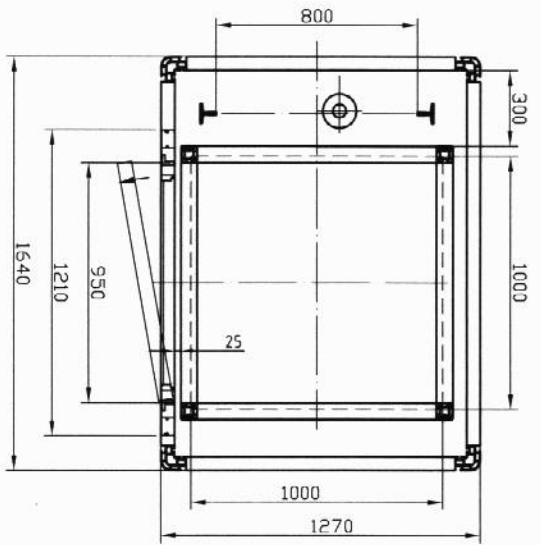


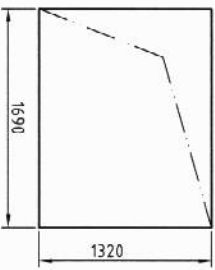
SHAFT SECTION



SHAFT PLAN  
1:20



SHAFT PIT AND FLOOR OPENING  
1:40



Main Parameters	
Type	TYJ-320
Load	320kg
Car Size	1000×1000×2000
Door Size	950×2000
Structure	All shaft
Door style	Car door / Without Hall door / Swing
Ratio	Side acting 2:1
Speed	0.2m/s
Output	2.9KW
Power Pack	Drive   240V 1 phase
	Light   240V 1 phase 50Hz 20A

**SHOW ROOM:**

NSW:  
1/75 Corish Circle  
Eastgardens NSW 2036  
T: (02) 9666 3939  
F: (02) 9666 3949

VIC:  
1/1 Belgium Ave  
Richmond, 3121  
T: (03) 9421 4222  
F: (03) 9421 4333

Toll Free: 1800 440 714  
www.liftshop.com.au

**Project 30055**

Project	30055	Controller position	<input type="checkbox"/> Close <input type="checkbox"/> Near
Customer		<input checked="" type="checkbox"/> R-B	<input type="checkbox"/> R m
Contract No.		320kg hydraulic homelift	

Confirmed by customer's signature

Design	guzhenyuv	Approve	guzhenyuv	Date	2008.7.24
Check					

**LIFTSHOP**  
Life with style