

- STANDARD ACCESSORIES:**
- REMOVABLE ENABLING KEY FOR THE CABIN BUTTON PANEL
 - REMOVABLE ENABLING KEY FOR THE FLOOR BUTTON PANEL
 - DISPLAY ON THE LENDINGS
- NOT STANDARD ACCESSORIES:**
- FULL HEIGHT INFRA-RED CURTAIN
 - REMOTE CONTROL CALL & SEND
 - AUTOMATIC RETURN TO LEVEL 2

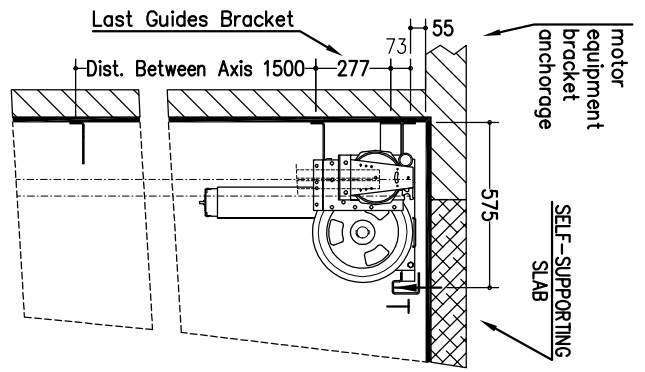
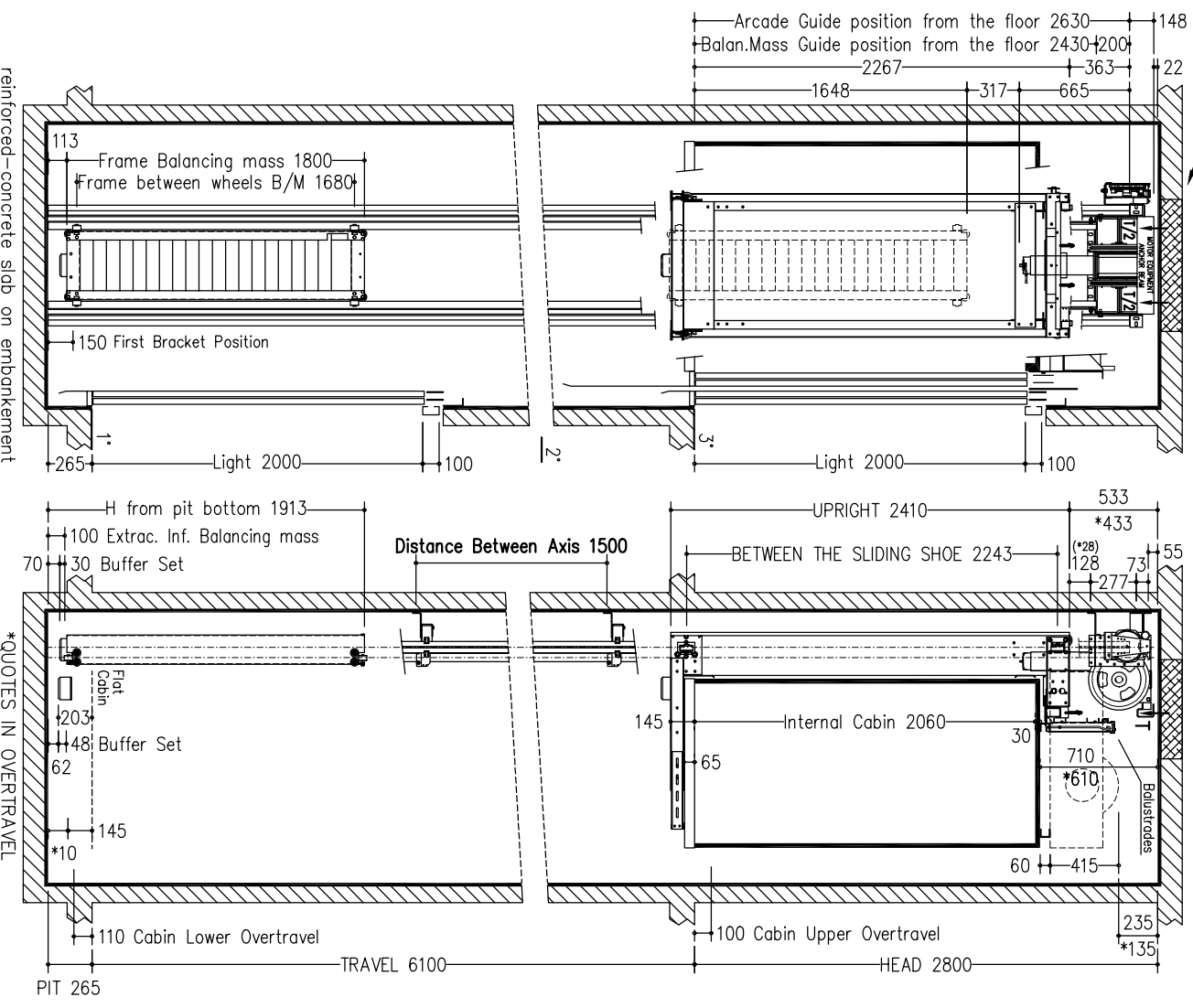
cabin mass and operators (Kg)	385	ATLANTIS - SM
panels	Abete DL10	
finishings	INOX Scotch Brite	
floor	Rocksolid Prezioso 542	
push button panel	Verticale a n° 7 fori	
roof	Disegno Danno INOX Scotch Brite	
cabin doors colour	INOX Scotch Brite (oper. CMM-E-2006)	
landing doors colour	INOX Scotch Brite	
frame landing doors colour	INOX Scotch Brite	
electrical s. cabinet colour	INOX Scotch Brite	

Shaft typology:	MASONRY																	
Stops:	3	Doors:	3															
Sheet:	1/2	Sheet dimension:	A3															
Scale:	1/15	first draft:	D. Tonelli 20/10/2009															
Scale:	1/15	final drawing:	D. Tonelli 16/12/2009															
Modifications:	<table border="1"> <tr> <th>Rif</th> <th>DESCRIPTION</th> <th>DATE</th> </tr> <tr> <td>d</td> <td>cabina ovano pannelli "Similinox T2pps" e pavim. a cura cliente; aggiunto telecomando e ritorno automatico al piano.</td> <td>16/12/2009</td> </tr> <tr> <td>c</td> <td></td> <td></td> </tr> <tr> <td>b</td> <td></td> <td></td> </tr> <tr> <td>a</td> <td></td> <td></td> </tr> </table>			Rif	DESCRIPTION	DATE	d	cabina ovano pannelli "Similinox T2pps" e pavim. a cura cliente; aggiunto telecomando e ritorno automatico al piano.	16/12/2009	c			b			a		
Rif	DESCRIPTION	DATE																
d	cabina ovano pannelli "Similinox T2pps" e pavim. a cura cliente; aggiunto telecomando e ritorno automatico al piano.	16/12/2009																
c																		
b																		
a																		
OP/PFP NUM/FRR	MODEL SUPERMEC																	

FT_01256



SECTION B-B
SECTION A-A
VENTILATION ON THE TOP OF THE SHAFT COMPLYING TO THE EXISTING NORMATIVES



FT_01256

NOTES FOR THE CUSTOMER

THE HORIZONTAL AND VERTICAL LOAD BEARING STRUCTURES MUST BE ABLE TO SUPPORT THE LOADS INDICATED. THE HOISTWAY SHAFT MUST BE VENTILATED ACCORDING TO THE EXISTING NORMATIVES AND CONSTRUCTED IN ORDER THAT ALL EQUIPMENT INSIDE IT ARE PROTECTED FROM DUST, UNHEALTHY VAPORS AND HUMIDITY. THE DIMENSIONS OF THE EXISTING SHAFT MUST BE COMPARED WITH AN EXISTING SHAFT OF THE SAME TYPE. IN THE CASE OF A DIFFERENCE, THE CUSTOMER HAS TO WATERPROOF THE PIT AFTER THE DRING OF (HOOXKOPDOP). THE CUSTOMER HAS TO WATERPROOF THE PIT AFTER THE DRING OF THE EQUIPMENT IN THE PIT BOTTOM. THE PROJECT IS COMPILED IN ACCORDANCE TO THE EXISTING NORMATIVES.

FOR APPROVAL OF EVERYTHING CONCERNING THE MASONRY PARTS OF THE SHAFT.

DATE SIGN

Max loads	balancing mass P	(N)	31957
	arcade N	(N)	41433
	motor equipment T	(N)	10920

Thrust during normal operation	Fx	(N)	1148
	Fy	(N)	848
	s	(N)	1559
	D	(N)	1559

Thrust of safety gear device intervention	Fx	(N)	3296
	Fy	(N)	1413
	s	(N)	12702
	D	(N)	12702

reference normatives	pr EN81.21 (2006)
maneuver	universide

voltage of the battery charger	(V)	220V
batteries	FIAMM-GS FG22703 12V 27Ah	

reduction gear	110 PAM 90 1/49 STM
motor	DAGU EE302 c.c. 40 V
block brake	12 N/m - 24 V

arcade	930-480kg-m80x960-H2410
arcade mass (kg)	175
balancing (%)	50
balancing mass (kg)	799

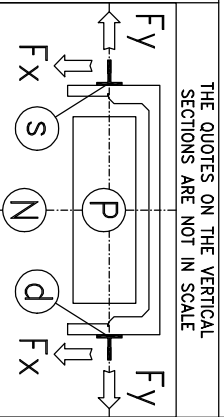
components of the balanc. mass suspension cables	n° 14 pani e n° 133 piastre
length (mm)	ALOTO 9x6
minimum breaking load (N)	10100

balanc. mass shock absorbers	ETN 125 x 80
cabin shock absorbers	GF770 x 8995 mm - stoffe n° 7
cabin guides	RF50 x 8795 mm
balancing mass guides	

speed (m/s)	0,3
load capacity (kg)	480
people capacity	6

Interfloors

2/3 = 3100 mm
1/2 = 3000 mm



THE QUOTES ON THE VERTICAL SECTIONS ARE NOT IN SCALE

Shaft typology:	MASONRY
Stops:	3
Doors:	3
Sheet:	2/2
Sheet dimension:	A3
Scale:	1/30
first draft:	D. Tonelli
final drawing:	D. Tonelli
DATE:	20/10/2009
DATE:	16/12/2009
MODEL:	SUPERMEC



Modifications:
 d. cabina ovano pannelli "Smilinox T2pps" e pavim. a cura cliente, aggiunto telecomando e ritorno automatico al piano.
 d. cabina ovano pannelli "Smilinox T2pps" e pavim. a cura cliente, aggiunto telecomando e ritorno automatico al piano.
 d. cabina ovano pannelli "Smilinox T2pps" e pavim. a cura cliente, aggiunto telecomando e ritorno automatico al piano.
 d. cabina ovano pannelli "Smilinox T2pps" e pavim. a cura cliente, aggiunto telecomando e ritorno automatico al piano.

reinforced-concrete slab on embankment

*QUOTES IN OVERTRAVEL