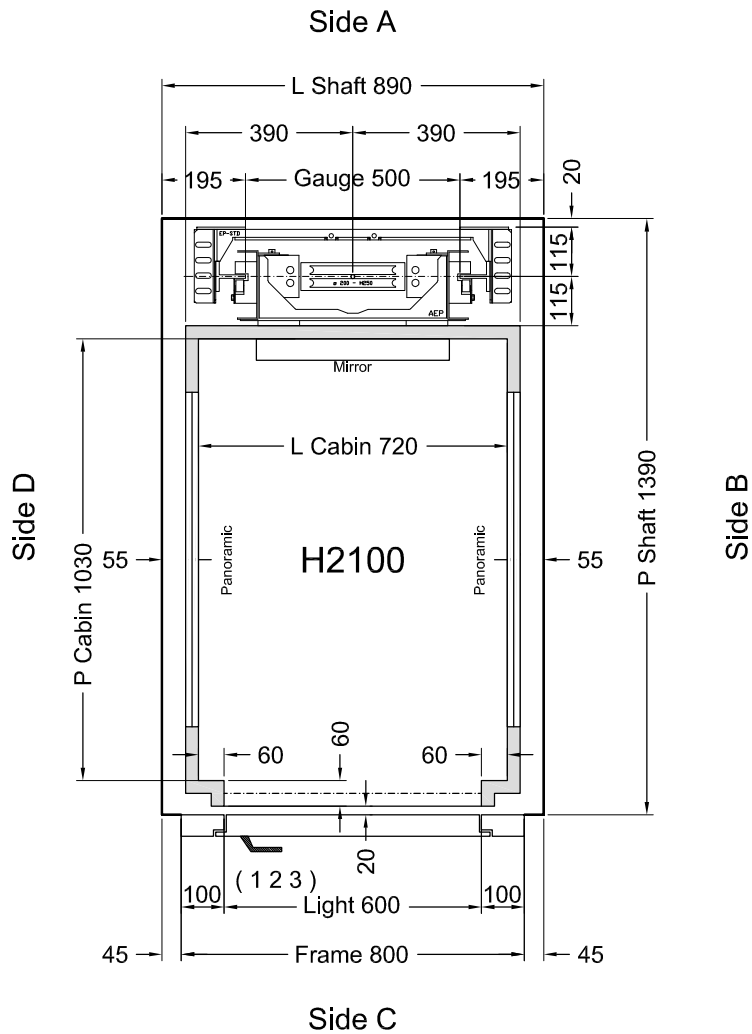


FLOOR DOOR



Side B	Side C	Side D	VERSION	H LIGHT	H FRAME	FRAME	WINDOW	GLASS	ACCESSORIES
	1 2 3		Alluminium - Aluminium covering	2000	2100	Aluminium covering	Panoramic	Transparent	

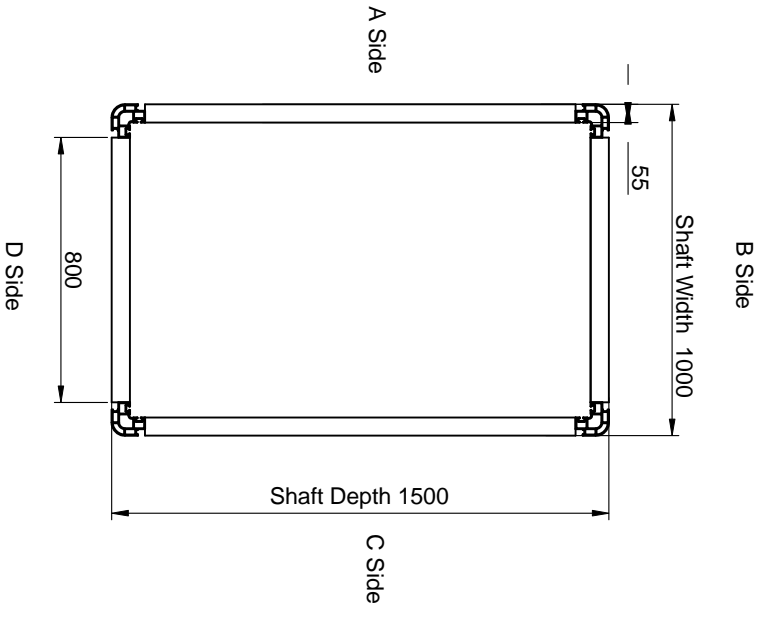
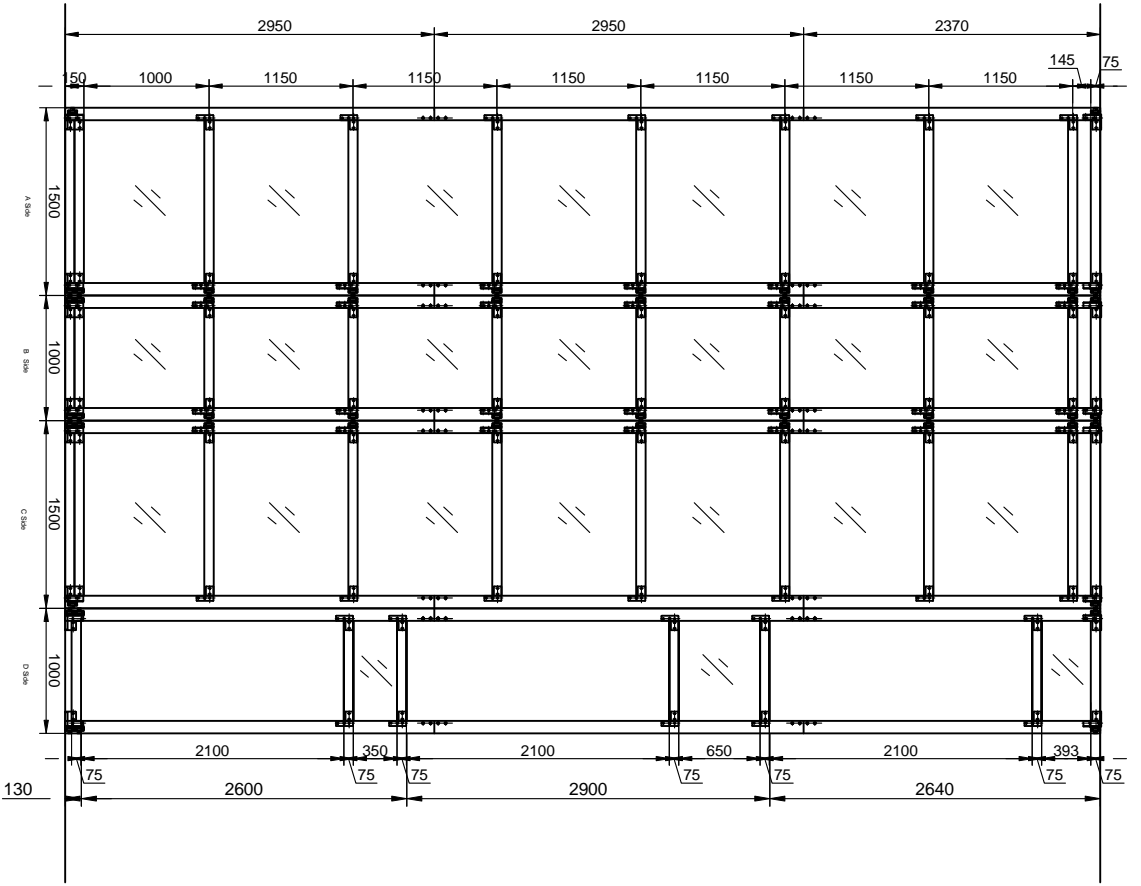
C1 = Enabling key for the floor button pad (single insertion) C2 = Enabling key for the floor button pad (double insertion) PM = Button pad on the wall PE = Outside lock and button pad



Stops: 3 - Doors: 3

Shaft in **Shaft at Client expense (Struttura a carico Cliente)**

VERSIONS	Description			Designer	Date	Final Design Drawings	
							Model ELFO
	Dimensioni cabina			Colamarino	20/11/2013		SHEET DIMENS. A3
 CLIENT Lift Shop				Final Design Drawings Colamarino	1° STESURA 15/11/13		SCALE 1:12.5
				CAPACITY 300 kg	AREA m ² 0,75	CAPACITY	



Shaft Frame	DBC-09
Front Wall	Glass - DBM-01 Clear
Left Wall	Glass - DBM-01 Clear
Right Wall	Glass - DBM-01 Clear
Rear Wall	Glass - DBM-01 Clear

Landing	W	H	Type	Hinge	Landing Door	Decoration
1st floor	P 600	2000	Standard		Panel	Handle PA-141
2nd floor	P 600	2000	Standard		Panel	Handle PA-141
3rd floor	P 600	2000	Standard		Panel	Handle PA-141

kg hydraulic freedomlift



Life with style