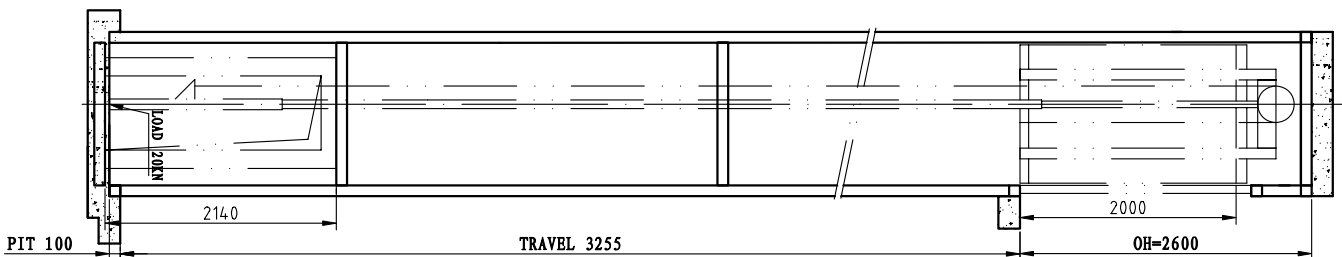
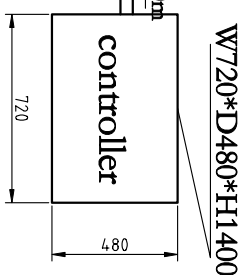
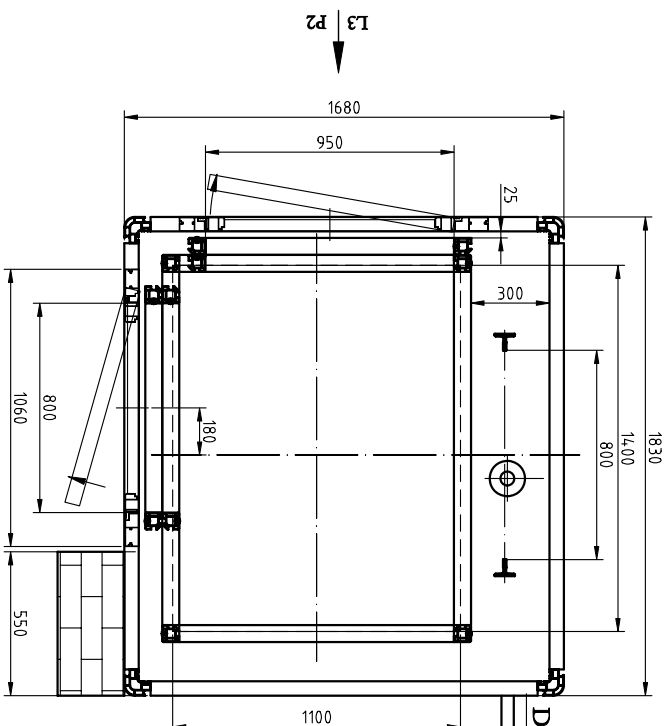


SHAFT SECTION



OH	2600
floorheight	3255

SHAFT PLAN
1:20



W720*D480*H1400

Main Parameters	
Type	TY-400
Load	400kg
Car Size	1400X1100X2000
Door Size	P1:800X2000 P2:950X2000
Structure	Al shaft
Door style	Car door Without Hall door Swing
Ratio	Side acting 2:1
Speed	0.25m/s
Output	2.9KW
Power Pact	Drive 240V 1 phase Light 240V 1 phase 50Hz 20A

SHOW ROOM:

NSW:
1/75 Corish Circle
Eastgardens NSW 2036
T: (02) 9666 3939
F: (02) 9666 3949

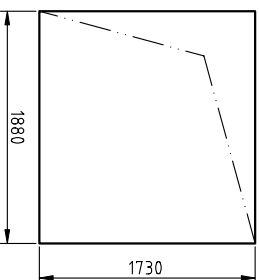
VIC:
1/1 Belgium Ave
Richmond, 3121
T: (03) 9421 4222
F: (03) 9421 4333

QLD:
Home Ideas Centre, 66 Merivale St.
South Bank, Brisbane
T: (07) 3014 0633

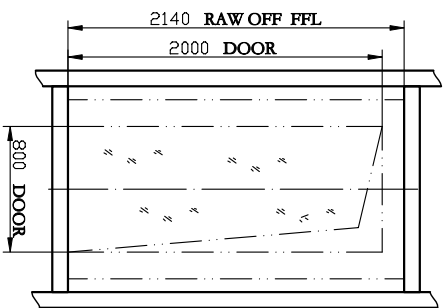
WA:
Home Base Expo, 55 Salvado Rd.
Subiaco, Perth
T: (08) 9460 0666

Toll Free: 1800 440 714
www.liftshop.com.au

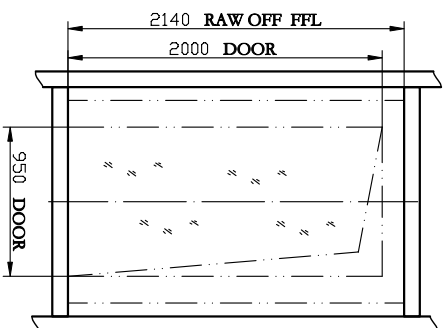
SHAFT PIT AND FLOOR OPENING
1:40



P1
1:30



P2
1:30



400kg hydraulic home lift

