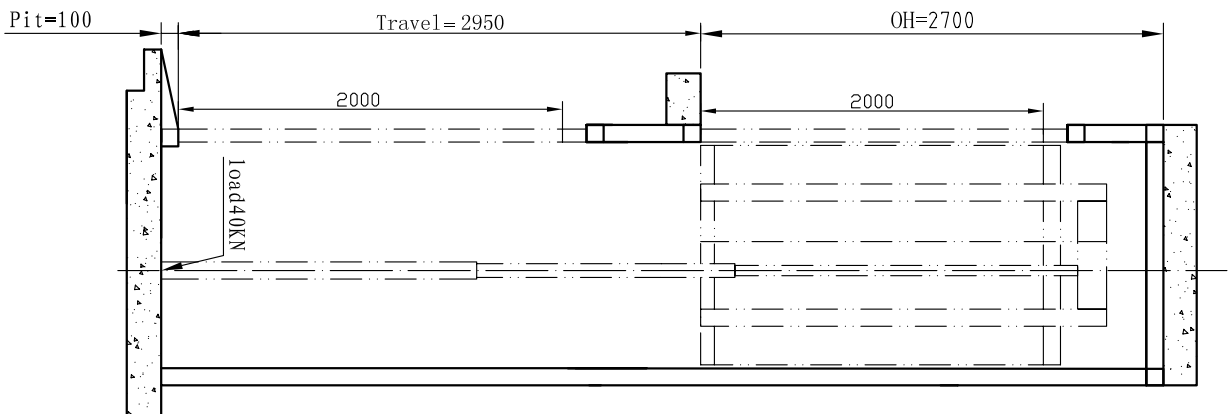
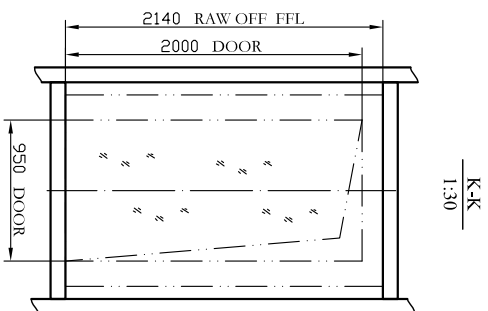
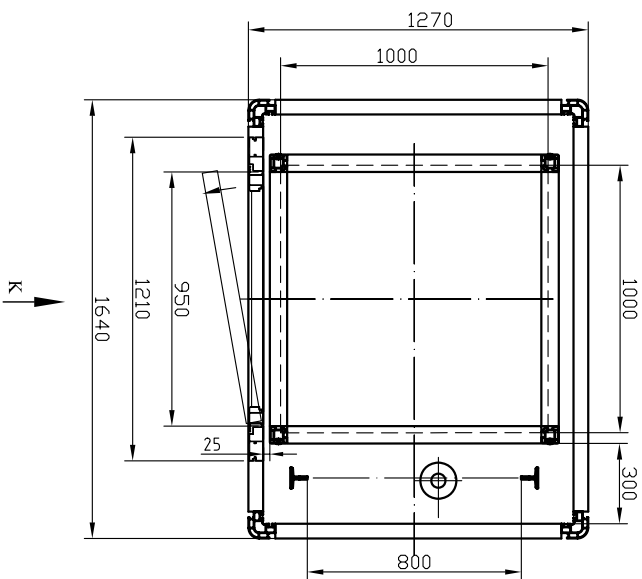


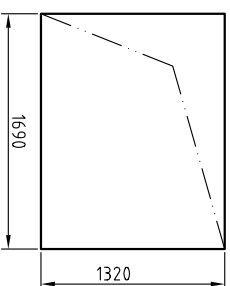
SHAFT SECTION



SHAFT PLAN
1: 20



SHAFT PIT AND FLOOR OPENING
1:40



Main Parameters

Type	TJY-320
Load	320kg
Car Size	1000×1000×2000
Door Size	950×2000
Structure	AI shaft
Door style	Car door / Without
	Hall door / Swing
Ratio	Side acting 2:1
Speed	0.2m/s
Output	2.9KW
Power Pact	Drive 240V 1 phase
	Light 240V 1 phase 50Hz 20A

SHOW ROOM:

NSW:
1 / 75 Corish Circle
Eastgardens NSW 2036
T: (02) 9666 3939
F: (02) 9666 3949

VIC:
1/1 Belgium Ave
Richmond, 3121
T: (03) 9421 4222
F: (03) 9421 4333

Toll Free: 1800 440 714
www.liftshop.com.au

Project: 30036

Project	30036
Customer	
Contract No.	

Controller position	
<input type="checkbox"/> Close	<input type="checkbox"/> Near
<input type="checkbox"/> L/R	<input type="checkbox"/> B / m

320kg hydraulic homelift

Confirmed by customer's signature

Design	Iingdan	Approve	yangliang
Check	guzhenyu	Date	2008.4.9

