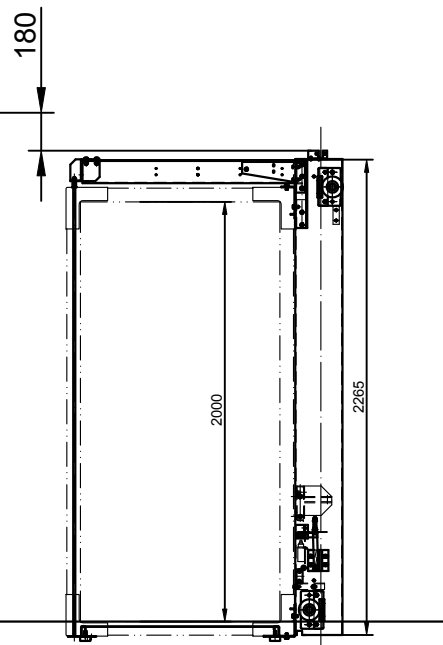
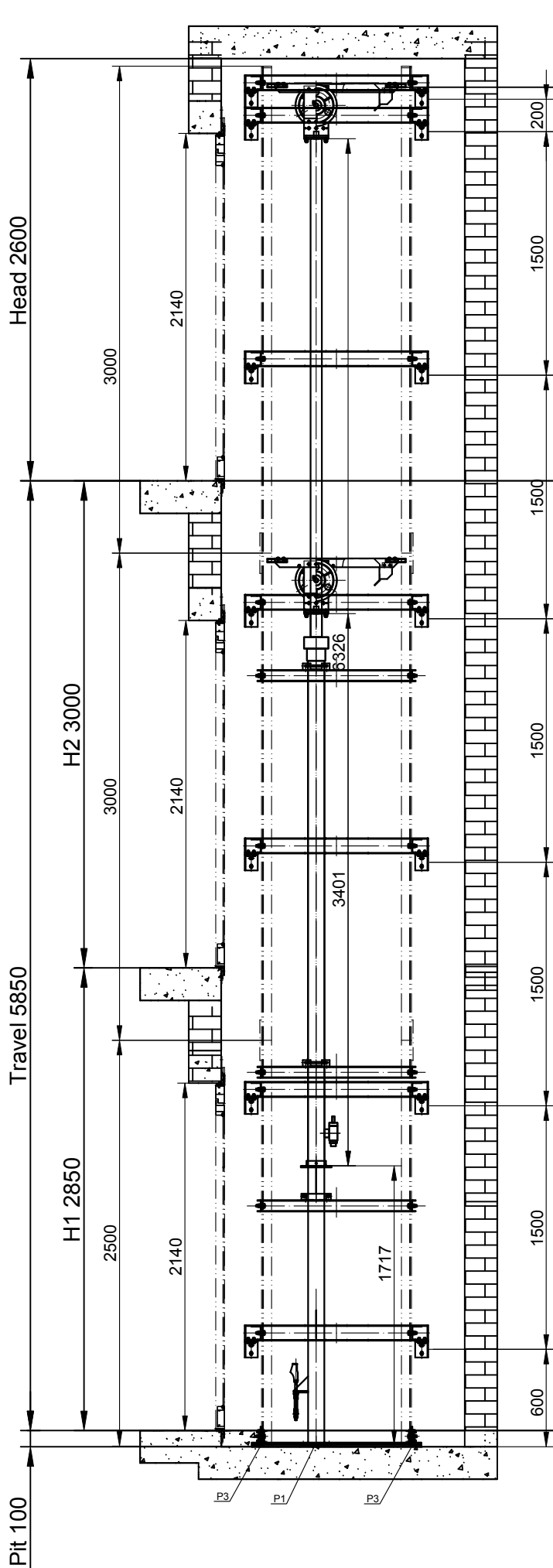


Shaft	Masonry / By Others	Ceiling	DBD-13 Polished silver
		Floor	By Others
Load Capacity	320kg	Cop	DBK-02 on right wall Polished silver
Speed	0.25m/s	Handrail	

Car Frame	DBC-09 Silver
Left Wall	Glass- DBM-74
Right Wall	Plywood- DBB-81
Rear Wall	Plywood- DBB-82

Landing	W	H	Type	Hinge	Landing Door Decoration				
1st floor	P	750	2000	Standard	Right Axis	Frame	DBC-09 Silver	Handle	Close
						Panel	DBM-74	DBL-20	DBQ-02
2nd floor	P	750	2000	Standard	Right Axis	Frame	DBC-09 Silver	Handle	Close
						Panel	DBM-74	DBL-20	DBQ-02
3rd floor	P	750	2000	Standard	Right Axis	Frame	DBC-09 Silver	Handle	Close
						Panel	DBM-74	DBL-20	DBQ-02

									320kg hydraulic freedomlift
									LIFTSHOP
									<i>life with style</i>

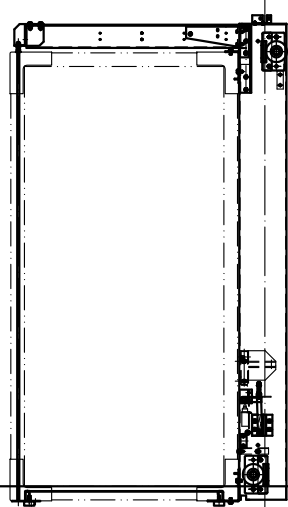


Hydraulic Unit	3 F 3 S 3 D		1	240V, 50HZ 30A
	Type	T3010EN		
	Volume	HL		
	Flux	35 l/min		
	Power	2.9 KW		
Joint	3/4"			
Recycle pipe	D = 8 mm, L = 10 m		1	

80	x	5	Ram (Silver)	Type:	One stage	telesopic	1
				Diameter:	$\varnothing =$	80 mm	
				Travel:	$=$	3.1 m	
				Port:	3/4"		

N46#	Hydraulic oil	75 L
	Barrel	25 L / B 3

Machine cabinet	Interface size	3/4"	Level
From shaft	Distance	5 m	1
Load	P1: 40kN	P2: 40kN	P3: 20kN P4: 5kN



SHOW ROOMS:


NSW:
1 / 75 Corish Circle
Eastgardens NSW 2036
T: (02) 9666 3939
F: (02) 9666 3949

VIC:
1/1 Belgium Ave
Richmond, 3121
T: (03) 9421 4222
F: (03) 9421 4333

QLD:
Home Ideas Centre, 66 Merivale St.
South Bank, Brisbane
T: (07) 3014 0633

WA:
Home Base Expo, 55 Salvado Rd.
Subiaco, Perth
T: (08) 9460 0666

Toll Free: 1800 440 714
www.liftshop.com.au

	320kg hydraulic freedomlift
LIFTSHOP 	
<i>life with style</i>	