

FLOOR DOOR

Side B	Side C	Side D	VERSION	H LIGHT	H FRAME	FRAME	WINDOW	GLASS	ACCESSORIES
G			2 Panels RAL 9005 <u>Smooth finish</u>	2000	2210	RAL 9005 <u>Smooth finish</u>	Panoramic	Fumè	C2
1			2 Panels RAL 9005 <u>Smooth finish</u>	2000	2210	RAL 9005 <u>Smooth finish</u>	Panoramic	Fumè	<u>Access Keyboard</u>

C1 = Enabling key for the floor button pad (single insertion) C2 = Enabling key for the floor button pad (double insertion) PM = Button pad on the wall PE = Outside lock and button pad

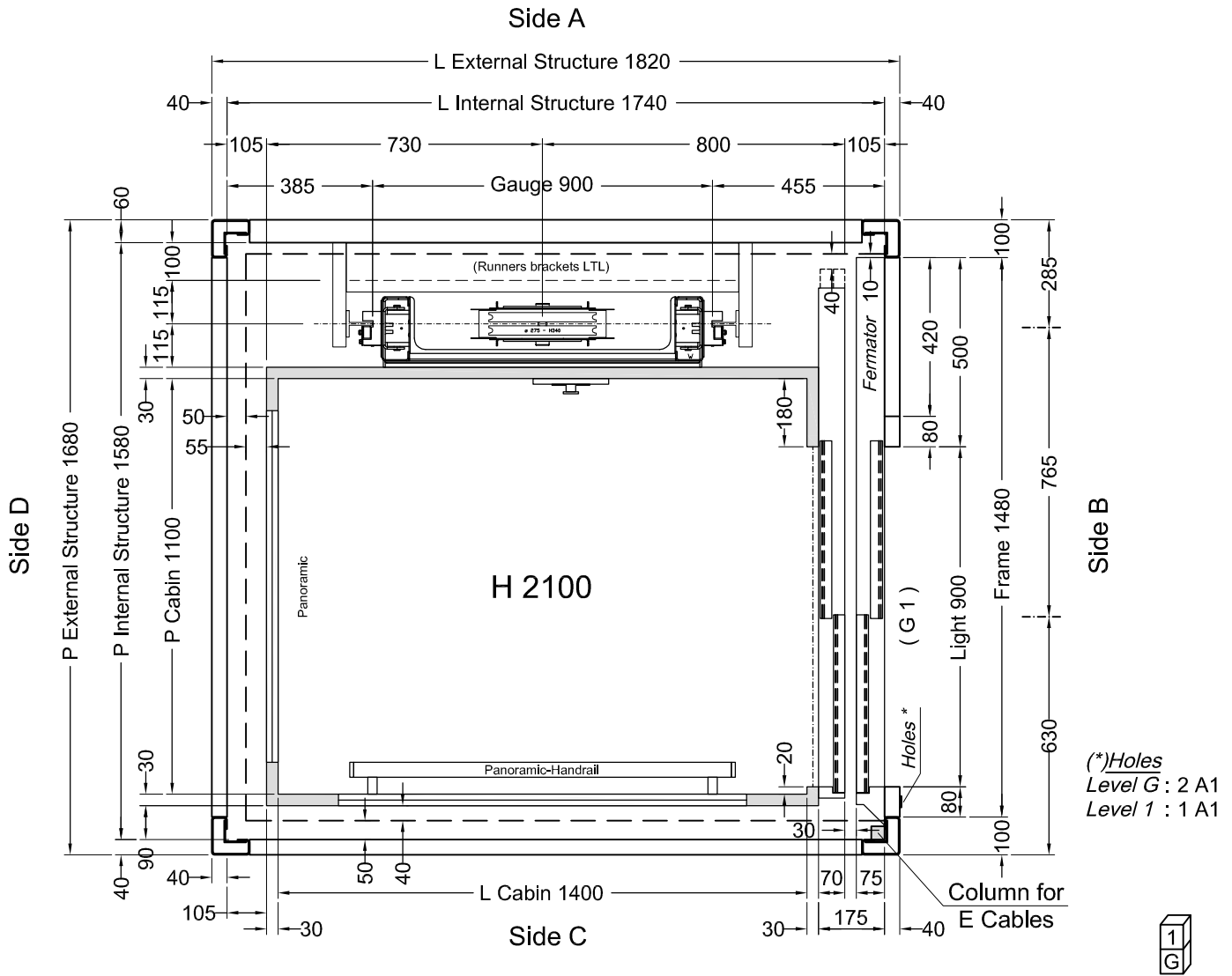
Shaft V66 ()

ENVIRONMENT	VERSION	Cladding	START	ROOF	ANCHORAGE
Outside	G + RAL *	Glass Fumè	Pit bottom	For Outside	Anchorage to care of the Customer. Ancoraggio a cura del Committente.
Esterno	Z + RAL *	Vetro Fumè	Fondo Fossa	Per esterno	

(*) Galvanized and RAL 9005 Smooth finish

(*) Zincata e RAL 9005 Finitura Liscia

- - - - - Internal Stiffening System
Overall dimensions



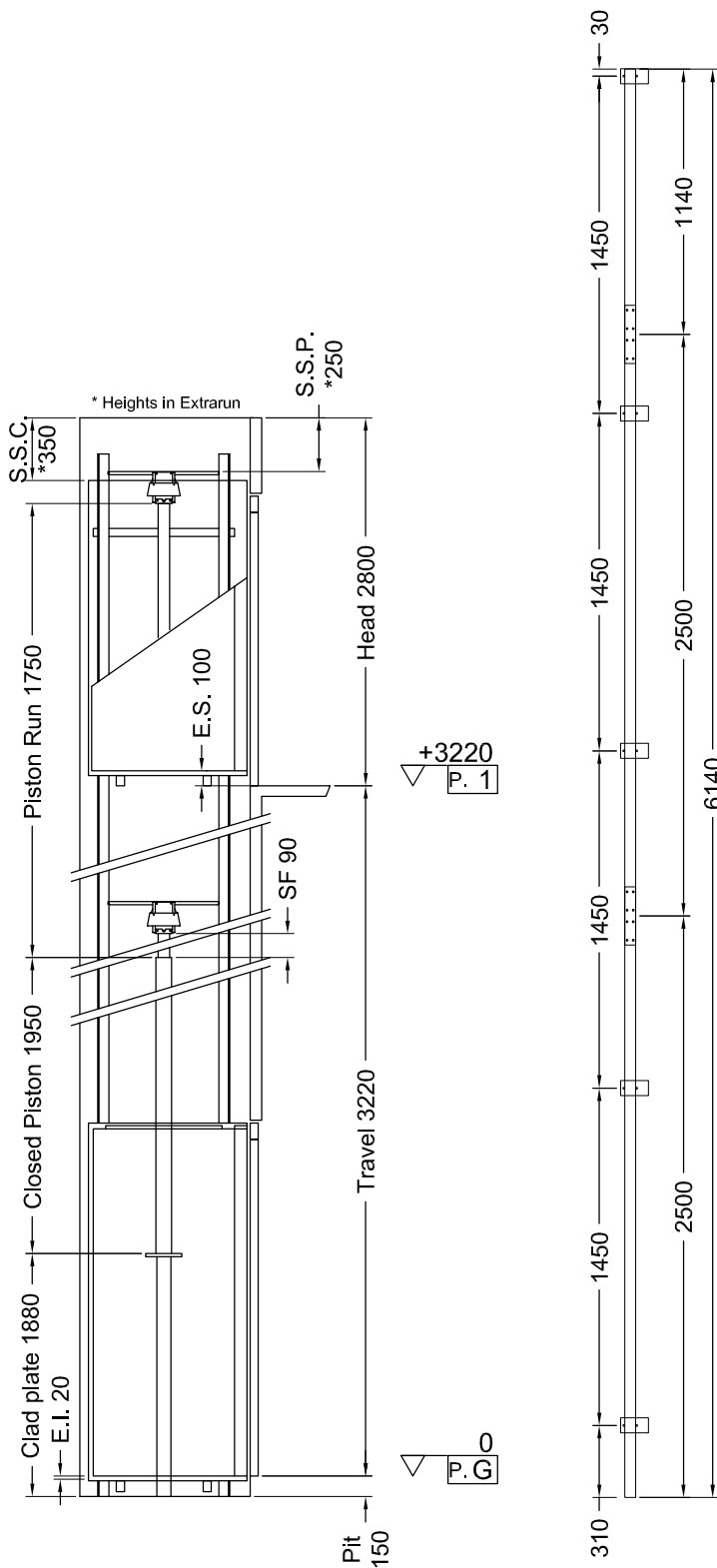
Feasibility n° 02383 - Glass F

Steps: 2 - Doors: 2

Shaft in **Shaft V66 ()**

Customer own flooring: Dimensions **1430 (L) x 1100 (P)** thks **20 mm** Weight: **50 kg**

		Designer	Date	Final Drawings	
		L. Del Bianco	17/06/2015	Model	SHEET
		D. Tomei	01/06/2015	ELFO 2	1/4
		L. Del Bianco	04/05/2015		SHEET DIMENS.
		L. Del Bianco	30/03/2015		A3
		Final Drawings	1° STESURA		SCALE
		L. Del Bianco	17/06/15		1:12.5
		CAPACITY	AREA m²	CAPACITY	
		350 kg	1,54		



Indirect Installation Speed **0,28 m/s** 17/06/15 16.46 (V.2852)

THRUST DURING NORMAL OPERATION			THRUST OF SAFETY DEVICE INTERVENT.		
P	(N)	14363	P	(N)	551
N	(N)	574	N	(N)	9598
F1	(N)	1834	F1	(N)	3057
F2	(N)	374	F2	(N)	623

SPACES		PRESSURES		
E.I.	Extrarun below cabin (mm)	20	Max static pressure (bar)	35,79
E.S.	Extrarun above cabin (mm)	100	Min static pressure (bar)	22,13
SF.	Piston extraction (mm)	90	Overpressure limit (bar)	50,11
S.S.P.	Piston/head (mm)	250	Residual pressure (bar)	1,1
S.S.C.	Cabin/head (mm)	350		

HYDRAULIC UNIT		MECHANICAL PARTS	
Central unit	GMV HL 3010 (-*)	Guide rails	70x70x9
Capacity (l/min)	43	Brackets	(Nr) 5
Motor (V)	MF230V	Ropes	Ø 11 mm 6-(1+9+9)
Power (Kw)	3,4	Cables lenght (mm) 2 x	9000
Nominal current (A)	32	Min actual breaking load (N)	70700
Piston	START SL (ø)80x5x1750		
Opt. oil position	BASSO		
Tubing	3/4" EN 853 1SN - FD 3/4" - FD 3/4"		
Tubing lenght (mm)	10000		
Min hydraulic oil (L)	44		

SECURITY DEVICES	Manufacturer	Model	Certificate
Safety Gear	PFB	BP1	TÜV AFV515
Block Valve	START ELEVATOR	1/2" 0326	CA50.00526
Key Locks	FERMATOR	210/10/40	

MACHINERY LOCATION			
At floor	G	Length of the hose travel	6000 (mm)
Cables enter in shaft: Side	A		

CABIN		CABIN ACCESSORIES	
Panels	Simlinox F12PPS	Panoramic	Side C, D
Finishes	Inox Scotch Brite	Handrail	Inox S.B., Side C
Oper. panel	VERTICAL (Like finishes)	Outside covering	Side B, C, D, Roof
Floor	By Customer	Outside finishing	Simlinox F12PPS
Ceiling	SPOTS LED - Simlinox F12PPS		
Cabin Doors	Side B: 2-Panels Automatic Sliding doors, RAL9005 Smooth fin. and Transp. Glass		

OTHER ACCESSORIES
Guides dimension 2.5 m
Manual pump
Manostat with overweight signal
Two speed
<u>Access Keypad at Level 1</u>
<u>Telephone by Lift Shop</u>
<u>Full height Infra-red curtain V2</u>
<u>Roof covering</u>
<u>Automatic Control 2011</u>
<u>Cabin Buttons: G 1</u>
<u>Blue Buttons</u>
<u>Call Accept</u>



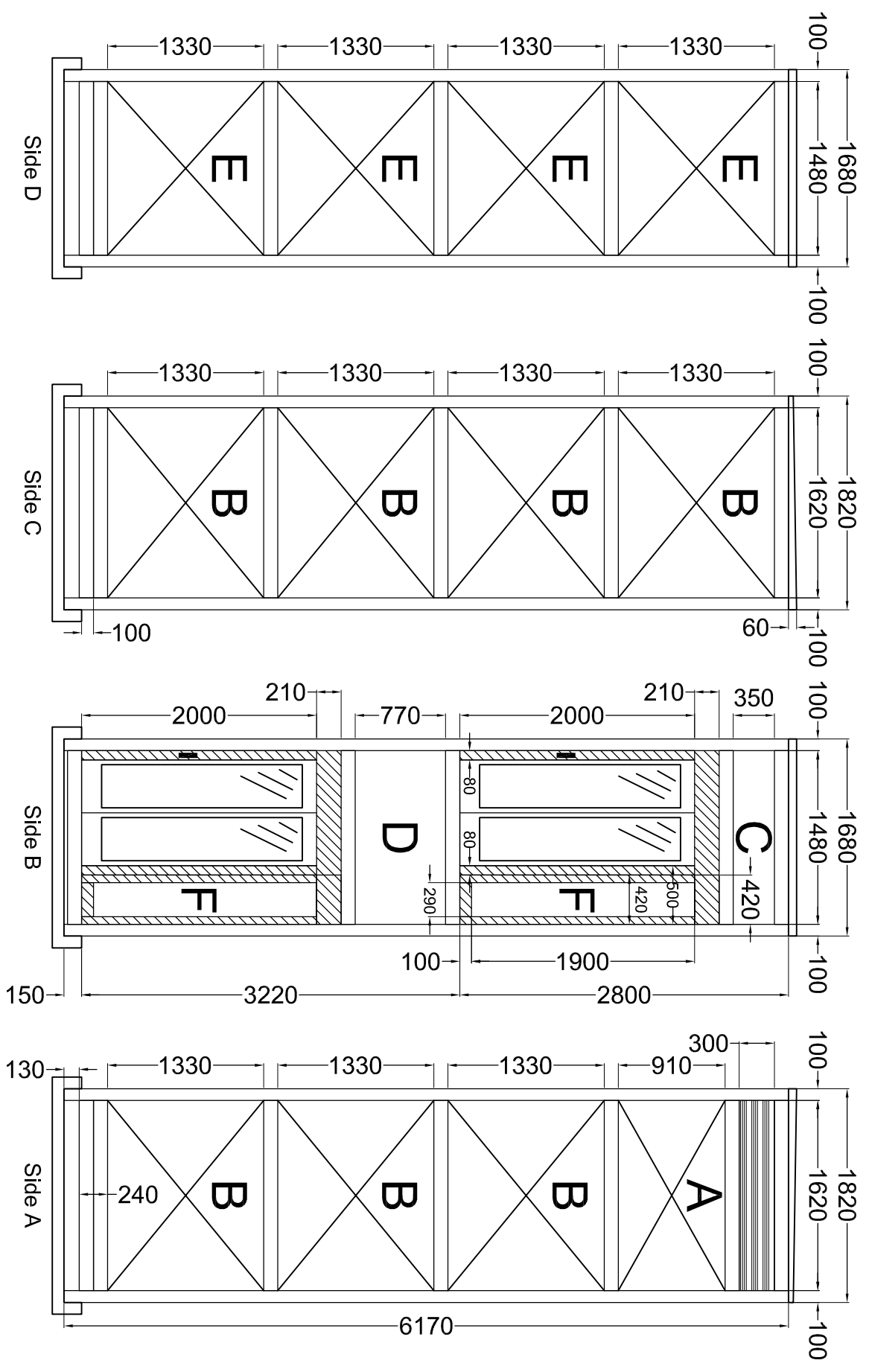
Final Drawings	1° STESURA
L. Del Bianco	17/06/15
Final Drawings	
SCALE	SHEET
OUT OF SCALE	2/4

Shaft V66 ()

ENVIRONMENT	VERSION	Cladding	START	ROOF	ANCHORAGE
Outside	G + RAL *	Glass Fumè	Pit bottom	For Outside	Anchorage to care of the Customer. Ancoraggio a cura del Committente.
Esterno	Z + RAL *	Vetro Fumè	Fondo Fossa	Per esterno	

(*) Galvanized and RAL 9005 Smooth finish
 (*) Zincata e RAL 9005 Finitura liscia
 Anchorage in height of 3 frames in head and every 3.5 m max

Internal Bracing
 Crociere Interne



Frames
 RAL 9005 Smooth finish

Ventilation Grid
 Galvanized and RAL 9005 Smooth finish